

ADD SHUT-OFF VALVE DESIGNED FOR SMART WATER CONTROL



The ADD shut-off valve to control water supply as a part of ADD Smart Water Prepayment Solution. Allows water availability reduction due to various operation scenario.

FEATURES

Water supply management



- Shut off water availability for unpaid bills or in case of a leak/burst;
- Close water for the specified time (configured);
- Limited flow function to reduce water consumption;
- Manage water availability remotely via associated water meter;
- Water supply restoration in a safe way by the meter multi-function button.

Communication



BLE 5.0 to control ADD shut-off valve via the associated meter.

Indication



Multi-functional bicolor LED to reflect valve states.

Battery



- The valve is equipped with a lithium battery;
- Battery lifetime up to 16 years under normal operating conditions

Design



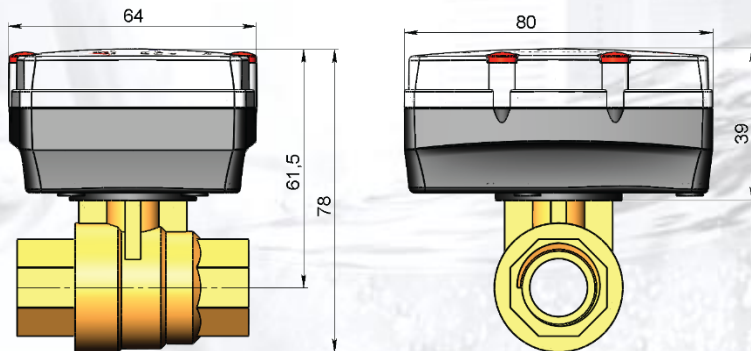
- Compatible with ADD-GRUP Ultrasonic water meter;
- The valve is made from durable composite.

TECHNICAL SPECIFICATIONS



Connection	G1" water installation, 60 mm long
Water temperature	T30 or T50
Ambient temperature	5°C to 55°C
Storage temperature	-20°C to 60°C
Protection class	IP68
Pressure rating	PN16
Communication	Bluetooth Low Energy 5.0

DIMENSIONS AND INSTALLATION



ADD valve should always be installed in pair with the associated water meter according to flow direction, downstream of the meter on the meter outlet.



36, Dragomirna str. Kishinev, MD-2008, Republic of Moldova
Phone: +373 22 930 012 **Fax:** +373 22 930 012

